

## ULTRAHEAT®T330 ULTRACOLD®T330



### Technical description

32 22 101 001 d

Date: 26.07.2019

Landis+Gyr GmbH

## Outstanding features

Meter for measurement of flow and energy in a heat or cold circuit with water using the ultrasonic principle.

Important properties are:

- Non-wearing due to non-moving parts
- Compact, space-saving design
- Robust all-metal measuring section
- Exceptional robust DuraSurface™
- Easy installation and read out
- Fast and intelligent temperature measuring interval
- Large, easily readable display
- Flow measurement with maximum values
- 2 set days per month for 24 months (parameterizable)
- Battery lifetime up to 11 years
- Integrated communication for remote readout or system connection
- Self-diagnosis

# Contents

<b>1</b>	<b>General notes</b>	<b>4</b>
	Other available documents	4
<b>2</b>	<b>Safety information</b>	<b>5</b>
<b>3</b>	<b>Technical data</b>	<b>7</b>
	Dimensions (qp 0.6 – 2.5 m <sup>3</sup> /h)	8
<b>4</b>	<b>Installation</b>	<b>10</b>
	Change mounting place	10
	Installation notes	10
	Examples of installation	12
	Installation notes for sensor adapter set (sensors directly immersed)	13
	Installation for cooling metering	13
<b>5</b>	<b>Dimension of electronic unit</b>	<b>14</b>
<b>6</b>	<b>Operating elements</b>	<b>16</b>
6.1	Displaying current meter status	16
	User loop "LOOP 0"	16
	Current values "LOOP 1"	17
	Previous month's values "LOOP 2"	17
	General / Communication "LOOP 3"	18
	Other "LOOP 4"	18
6.2	Monthly values	18
<b>7</b>	<b>Resolution of the display</b>	<b>19</b>
<b>8</b>	<b>Power supply</b>	<b>19</b>
<b>9</b>	<b>Communication</b>	<b>20</b>
	Electronic unit interfaces	20
9.1	M-Bus	20
9.2	Pulse output	20
9.3	Wireless M-Bus	21
	Predefined data telegrams	21
	Data telegram F000 – stationary radio (sending interval 15 min)	21
	Data telegram F001 – mobile data reading (sending interval 20 sec, battery lifetime 6 years)	22
	Data telegram F002 – mobile data reading (sending interval 34 sec, battery lifetime 11 years)	22
<b>10</b>	<b>Error codes</b>	<b>23</b>
<b>11</b>	<b>Order codes (type number key)</b>	<b>24</b>
<b>12</b>	<b>Additional ordering information for wM-Bus</b>	<b>25</b>
<b>13</b>	<b>Pressure loss</b>	<b>26</b>

## 1 General notes



**Note:** In the following text, the term meter refers to heat meter and cooling meter, unless they are otherwise differentiated.

The meter is used as a meter for heating or cooling consumption measurement in systems with water.

The meter consists of a volume measurement unit, two fixed temperature sensors and an electronic unit that calculates the energy consumption from the volume and temperature difference.

### Other available documents

---

- Operating and Installation Instructions T330
- Respective module operating and installation instruction
- Illustrated catalogue
- Datasheet

Additional information is available on request.

---

## 2 Safety information



The meter may only be used in building service engineering systems and only for the applications described.



The local regulations (installation etc.) must be adhered to.



The operating conditions according to the type plate must be complied with during use. Non-compliance can result in hazardous situations and the expiry of all claims arising from liability for defects as well as liability based on any expressly granted guarantees.



The meter is only suitable for circulating water in heating systems.



The meter is not suitable for drinking water.



Be aware of sharp edges on thread and measuring tube.



Requirements for circulating water (CEN/TR 16911: 2016).



Do not lift the meter by the electronic unit or by the adapter plate.



Only personnel, trained in the installation and operation of meters in heating and cooling systems, may install and remove the meter.



Only install or remove the meter when the pipes are pressureless.



After installing the meter, check the leak-tightness of the system.



Warranty and calibration validity will lapse if the calibration relevant security seal is broken.



Only clean the meter from outside with a soft, lightly wetted cloth. Do not use any spirit or cleaning solvent.



As far as disposal is concerned, the meter is a waste electronic appliance in the sense of European Directive 2012/19/EU (WEEE) and it must not be disposed of as domestic waste. The relevant national, legal regulations must be observed as the appliance must be disposed of via the channels provided for this purpose. The local and currently valid legislation must be observed.



The meter contains lithium batteries. Do not dispose of the meter and the batteries with domestic waste. Observe the local stipulations and laws on disposal.



You can return the lithium batteries to the manufacturer for appropriate disposal following use. When shipping please observe legal regulations, in particular, those governing the labelling and packaging of hazardous goods.



Do not open the batteries. Do not bring batteries into contact with water or expose to temperatures above 80 °C.



The meter does not have any lightning protection. Ensure lightning protection by the house installation.

### 3 Technical data

#### General

Measuring accuracy	Class 2 or 3 (EN 1434)
Environment class	A (EN 1434) for indoor installation
Mechanical class	M1 / M2 *)
Electromagnetic class	E1 *)
	*) acc. to 2014/32/EU Directive on Measuring Instruments
Ambient humidity	< 93 % relative humidity at 25 °C, without condensation
Max. height	2000 m above sea level
Storage temperature	-20 ... 60 °C

#### Electronic unit

Ambient temperature	5 ... 55 °C
Housing protection rating	IP 54 acc. to EN 60529
Power supply	Battery for 6 or 11 years
Operation threshold for $\Delta T$	0.2 K
Temperature difference $\Delta T$	3 K ... 80 K
Temperature measurement range	0 ... 180 °C
LCD	7 digits
Optical interface	Standard, EN 62056-21
Communication	Optional
Separability	Always, cable length 1.5 m

#### Temperature sensor

Type	Pt500 acc. to EN 60751, not detachable
Connection type	Pt500, 2 wire technology
Cable length	1,5 m
Construction type	Bolb sensor $\varnothing$ 5.2 x 45 mm, DS direct short, M10 x 27.5 mm
Temperature range	Bolb sensor 0 ... 105 °C; DS direct short 0 ... 130 °C

#### Volume measurement unit

Protection class	IP 54 acc. to EN 60529, optional IP 65
Mounting place	Hot side / cold side
Installation position	Any, horizontal or vertical
Flow straightening	None
Measuring range	1:100
Temperature range	5 ... 105 °C; 5...130 °C National type approvals may be different.
Maximum overload	qs = 2 x qp, permanent
Nominal pressure	PN16 (1.6 MPa; PS16) PN25 (2.5 MPa; PS25)

#### Power supply

Type of power supply	Battery for 6 or 11 years
Battery type	AA cell lithium
Lithium content	0.65 g per battery
Number of batteries	1 – 3, depending on the configuration

qp m <sup>3</sup> /h	Overall length and connection		
0.6	110 mm (3/4 ")		190 mm (1 ")
1.5	110 mm (3/4 ")	130 mm (1 ")	190 mm (1 ")
2.5		130 mm (1 ")	190 mm (1 ")

Nominal flowrate $q_p$	Overall length	Connection	Maximum flowrate $q_s$	Minimum flowrate $q_i$	Response threshold (variable)	Pressure loss at $q_p$	Kv-value at $\Delta p$ 1 bar	Kv-value at $\Delta p$ 100 mbar	Pack size (LxWxH)	Weight
m <sup>3</sup> /h	mm	G	m <sup>3</sup> /h	l/h	l/h	mbar	m <sup>3</sup> /h	m <sup>3</sup> /h	cm	kg
0.6	110	G 3/4	1.2	6	1.2	150	1.5	0.5	15.5 x 13.5 x 12.0	0.8
0.6	190	G1	1.2	6	1.2	150	1.5	0.5	22.5 x 18.5 x 11.3	1.1
1.5	110	G 3/4	3	15	3	150	3.9	1.2	15.5 x 13.5 x 12.0	0.8
1.5	130	G1	3	15	3	160	3.8	1.2	15.5 x 13.5 x 12.0	0.8
1.5	190	G1	3	15	3	160	3.8	1.2	22.5 x 18.5 x 11.3	1.1
2.5	130	G1	5	25	5	200	5.6	1.8	15.5 x 13.5 x 12.0	0.8
2.5	190	G1	5	25	5	210	5.3	1.7	22.5 x 18.5 x 11.3	1.1

Tolerance of pressure loss: +/- 5%

Dimensions ( $q_p$  0.6 – 2.5 m<sup>3</sup>/h)

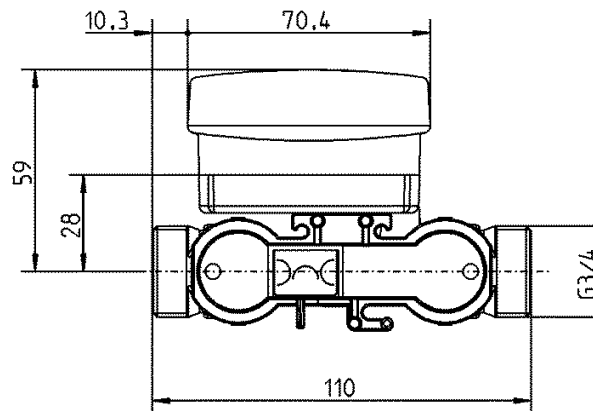


Fig. 1: Overview dimensions overall length 110 mm

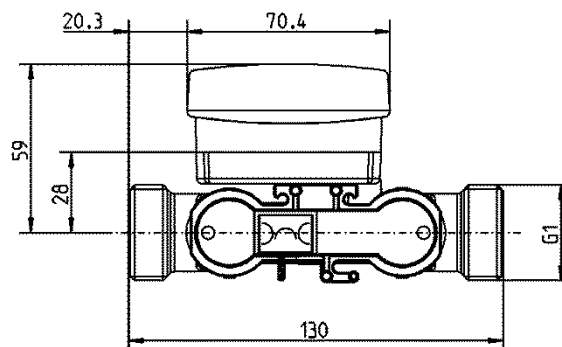


Fig. 2: Overview dimensions overall length 130 mm (thread)



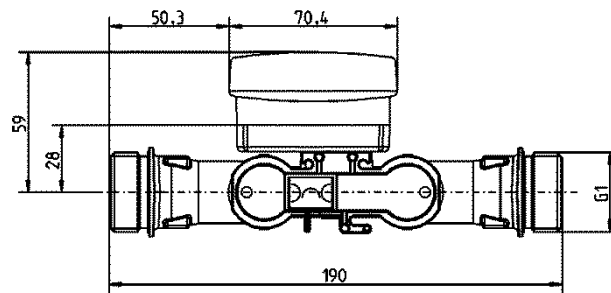



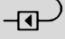

Abb. 3: Overview dimensions overall length 190 mm (thread)


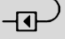

Order- No.	qp	PN	Overall length
	m <sup>3</sup> /h	bar	mm
UH30-x05	0.6	16	110
UH30-x06	0.6	25	110
UH30-x07	0.6	16	190
UH30-x09	0,6	25	190
UH30-x21	1.5	16	110
UH30-x22	1.5	25	110
UH30-x23	1.5	16	190
UH30-x25	1.5	25	190
UH30-x26	1.5	16	130
UH30-x27	1.5	25	130
UH30-x36	2.5	16	130
UH30-x37	2.5	25	130
UH30-x38	2.5	16	190
UH30-x40	2.5	25	190



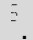

## 4 Installation

To install the meter, proceed as follows:




- Determine the place of installation in line with the inscription on the meter.
 

 **Note:** For a **heat meter** the mounting place of the cold side is equivalent to return  and the mounting place hot side is equivalent to flow .


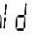

 **Note:** For a **cooling meter** the mounting place of the hot side is equivalent to return  and the mounting place of the cold side is equivalent to flow .

 **Note:** At a meter with an **adjustable mounting place**  L1, the mounting place hot side is displayed as *hot* . The mounting place cold side is displayed as *cold* .
  - Observe the dimensions of the meter and check whether there is enough space available.
  - Rinse the system thoroughly before installing the meter.
  - Fit the meter vertically or horizontally between two slide valves so that the arrow on the housing and the flow direction match. Also observe the installation situations and the following examples of installation.
  - Fit the temperature sensors in the same circuit as the meter. Observe in addition the admixtures.
  - Seal the temperature sensor and the fittings to protect against manipulation.
  - If you install the meter for cooling metering, follow the respective notes.
- Recommendation:** If you are installing several meters, the same installation conditions must be consistent for all meters.

### Change mounting place

-  **Note:** The mounting place is locked and can't be changed after the meter has detected a volume of 10 liters. As a result, the "P" disappears from the display: *hot*  or *cold* .


For meters with adjustable mounting place, the mounting place can be set manually. Proceed as follows:

- Hold the button several times long (for more than 3 s) until  appears on the LCD.
- Press the button briefly repeatedly until *P hot*  or *P cold*  appears on the LCD.
- To change the mounting place, press the button longer (more than 3 sec). The LCD display changes.

The change happens automatically. The mounting place is locked and can't be changed after the meter has detected a volume of 10 liters.

- Adjust the temperature sensors according to the installation requirements.

### Installation notes

-  **Note:** Observe the local valid installation instructions mounting the meter.

Inlet or outlet sections are not necessary. If you install the meter in the common return of two circuits, determine a place of installation with a minimum

distance of  $10 \times \text{DN}$  from the T-piece. This distance ensures a good thorough mixing of the different water temperatures. You can install the temperature sensors in T-pieces, ball valves, directly immersed or in pockets depending on the version. The temperature sensor ends must reach to at least the middle of the pipe cross section.



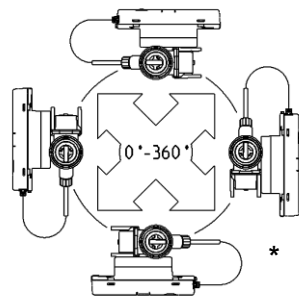
**Note:** Protect the meter against damage through mechanical shocks or vibrations at the place of installation.



**Note:** Ensure the electronic unit is protected against any ingress of water.

Examples of installation

You can install the meter in any position e.g. vertically or horizontally. In order to avoid accumulation of air and disruption in operation, fit the meter in a vertical installation position and not in the uppermost area of a pipeline.



\* This position is not permitted for cold meters and in cases where moisture can enter the electronic unit due to condensation (e.g. during an interruption in the summer).

Fig. 4: Mounting position

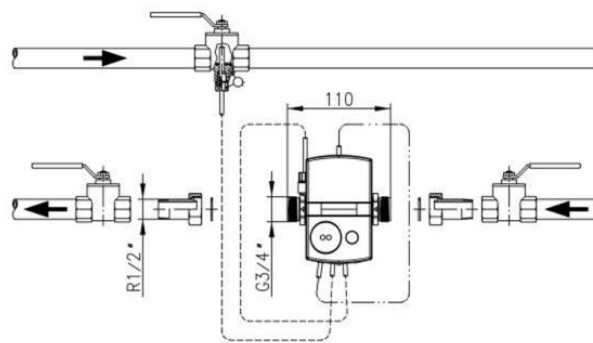


Fig. 5: Example for installation

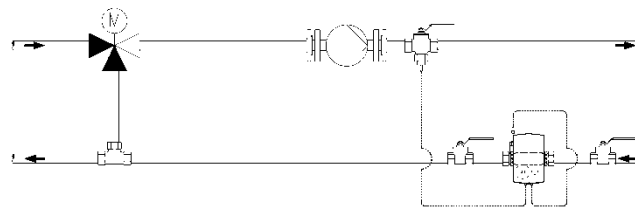


Fig. 6: Installation for circulation with admixing; placement of temperature sensors

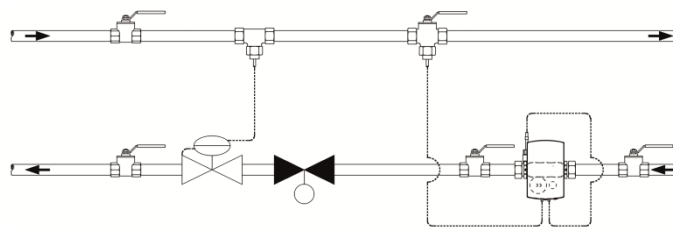


Fig. 7: Installation for circulation with throttling configuration (flow sensor in flow direction before control valve / differential pressure regulating valve)

### Installation notes for sensor adapter set (sensors directly immersed)

A mounting set is included for meters with 5.2 x 45 mm temperature sensor. With this you can fit the temperature sensor directly immersed into an insert or a ball valve for example.

1. Install with O-ring at the point of installation with the fit-up aid/pen provided.
2. Place both halves of the plastic bolting round the 3 notches of the temperature sensor.
3. Press the bolting together and screw the bolting hand tight into the point of installation until it comes to a stop (tightening torque 3 ... 5 Nm).

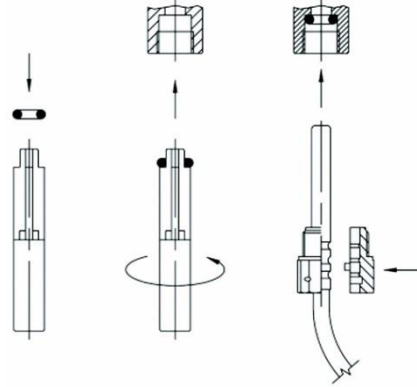


Fig. 8: Mounting adapter set

### Installation for cooling metering

Observe the following installation instructions to avoid condensation:

- Mount the cooling meter so that the black covering on the measuring section points sideward or downwards.
- Mount the electronic unit separated from the volume measuring unit e. g. on the wall.
- Form with the connected cables a loop downwards.
- Mount the protection pocket so that the temperature sensor is oriented vertically downwards or horizontally.
- Mount the temperature sensor horizontally or vertically in the pipe from below.

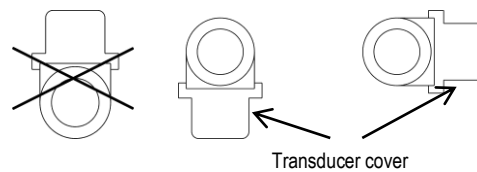


Fig. 9: Recommended installation orientation for cooling measuring

## 5 Dimension of electronic unit

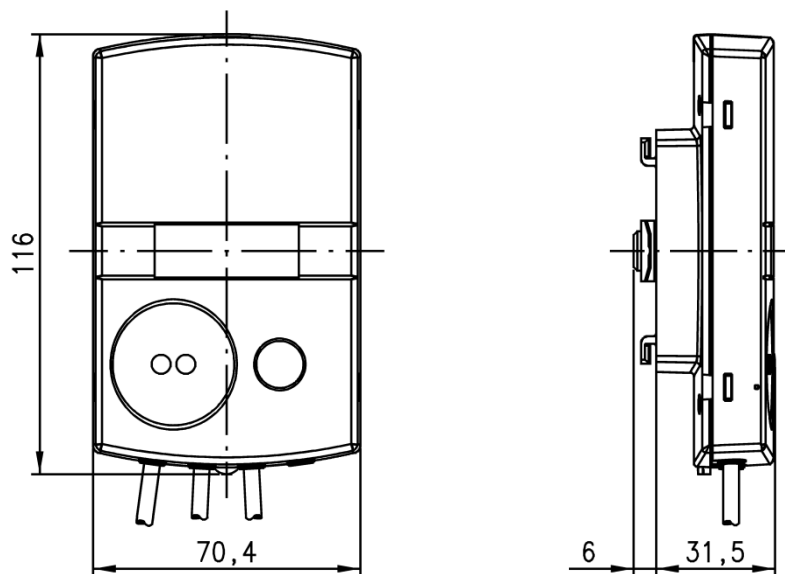


Fig. 10: Electronic unit

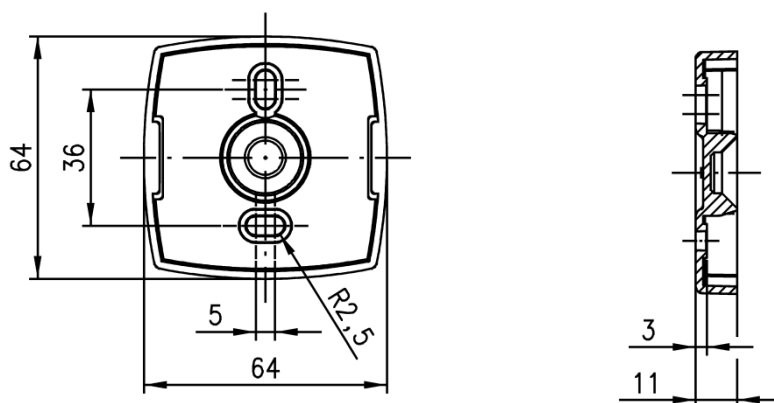


Fig. 11: Wall adapter (view from above and side)

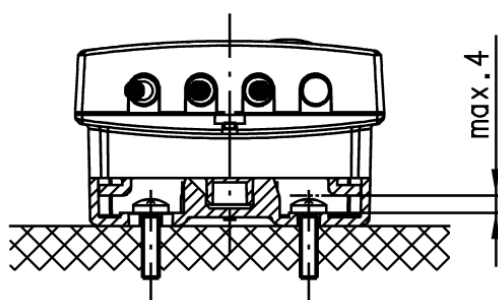


Fig. 12: Maximum screw head height (if using the wall bracket)

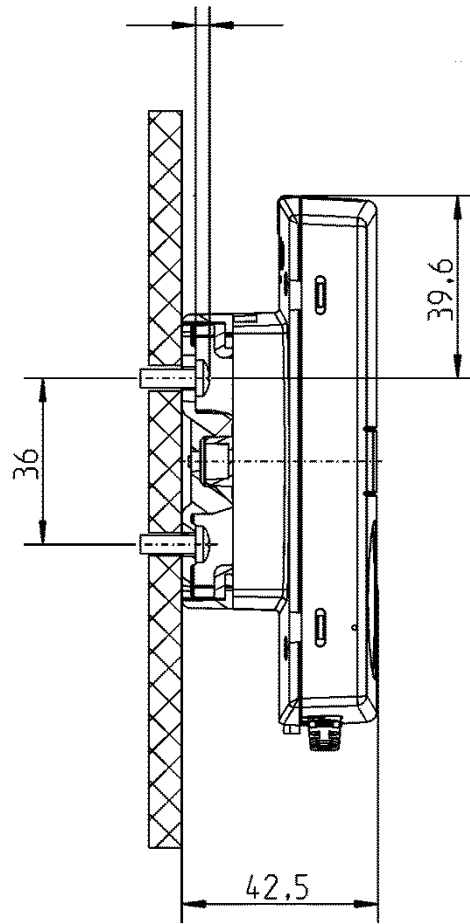


Fig. 13: Wall mounting

## 6 Operating elements

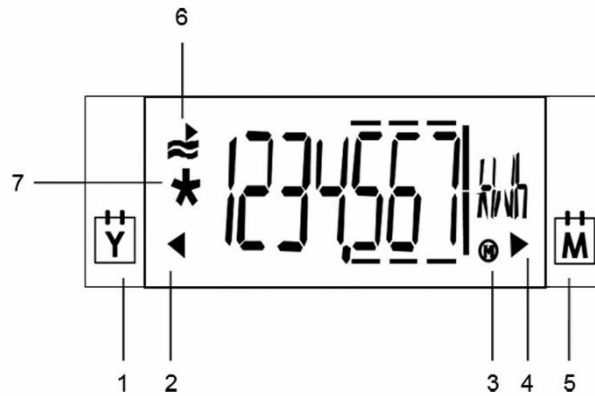





Fig. 14: LCD


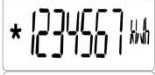
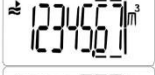


No.	Description
1	Identification previous year value
2	Previous year value
3	Maxima
4	Previous month value
5	Identification previous month value
6	Activity display at flow
7	Calibrated value

### 6.1 Displaying current meter status

The meter displays the current meter status in kWh, MWh, MJ or GJ.

-  **Note:** In order to prevent reading errors, the decimal places of the values displayed are marked with a frame.
-  **Note:** Calibrated values can be recognized by an additionally displayed star symbol.
-  **Note:** Both display range and data displayed can differ from the description depending on the appliance parameterization. Certain button functions can also be blocked.

#### User loop "LOOP 0"

	User loop
	Energy quantity
	Volume
	Segment test
	In case of error: error code



Current values "LOOP 1"

LOOP 1	Current values
1234 m <sup>3</sup> /h	Current flow
300 kW	Current heat power
670 °C	Current temperature hot side / cold side alternating in 2 s cycles
460 °C	
210 K	Temperature difference
P hot s	Mounting place here: hot side, changeable; optional)
bd 1234 h	Operating time
Fd 123 h	Missing time
Pd 1234 h	Time with flow

Previous month's values "LOOP 2"

LOOP 2	Monthly values
01.02.12 M	Log date
1234567 kWh	Energy quantity and volume on set day
1234567 m <sup>3</sup>	
Fd 123 h	Missing time on set day
3899 m <sup>3</sup> /h	Max. flow in 2 s cycles with date stamp
1701.12	
1000 kW	Max. power in 2 s cycles with date stamp
1701.12	
810 °C	Max. temperature hot side in 2 s cycles with date stamp
1702.12	
660 °C	Max. temperature cold side in 2 s cycles with date stamp
1702.12	

## General / Communication "LOOP 3"

LOOP 3	General / Communication
1234567 G	Device number, 7-digit
Mbus	Optional interface
127 A	Primary address (only for M-Bus)
0000000 A	Secondary address 7-digit - for M-Bus
0101--	Yearly set day
01---M1	Monthly set day
17-16 FW	Firmware version
Crc7E85	CRC-Code

## Other "LOOP 4"

LOOP 4	Other
0802.12 D	Date
105959 T	Time
---- C	Code entry for test / para operation

## 6.2 Monthly values

The meter stores the following values for 24 months on the monthly set day

- Missing time
- Volume
- Energy

and maxima with date stamp for

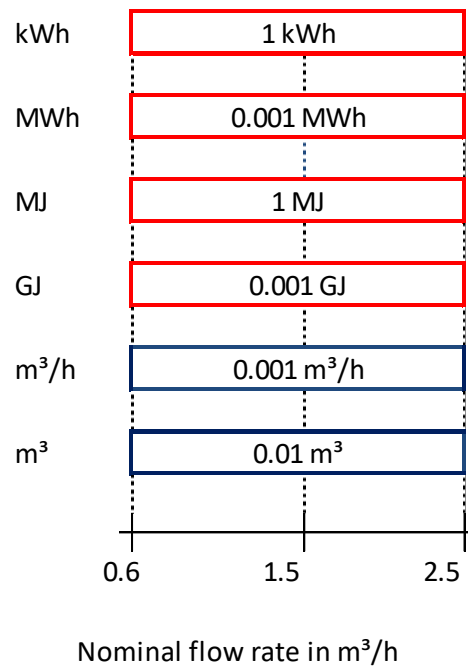
- Flow
- Power
- Temperature hot side
- Temperature cold side

The monthly values can be read via optical interface.



**Note:** Central European Time (CET) applies as the standard time. During summer time the storage takes place at the corresponding times.

## 7 Resolution of the display



## 8 Power supply

The meter is according to the configuration equipped with 1 – 3 lithium batteries.

**Options:**

- 6 years battery
- 11 years battery

## 9 Communication

### Electronic unit interfaces

The meter is equipped with an optical interface in accordance with EN 62056-21:2002 as standard.



**Note:** You can find further information in their respective documentation.

### 9.1 M-Bus

If the meter is equipped with the option M-Bus, it is supplied with a 2-wire cable which you can extend by fitting a junction box.

Standard	EN 13757-2 and -3
Reading interval	>1 min @ 2400 baud



**Note:** Frequent turning on and off the M-Bus voltage can lead to reduction of battery lifetime.

### 9.2 Pulse output

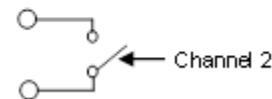
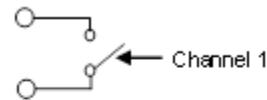
The pulse output permits the transmission of energy or volume equivalent pulses.

Two channels are available. Their functions can be parameterized with the service software or can be adapted in the “Para menu” of the meter.

Available are standard pulses or high-definition pulses.

The pulse duration is identical for channel 1 and channel 2.

Cable labelling	passive pulse output
Cable	1.5 m; 4-wired, LL84201 4xAWG28 / 0.2 mm <sup>2</sup>
Cable diameter	4 mm
Output type	open drain
Voltage	max. 30 V
Current	max. 30 mA
Dielectric strength	500 V <sub>eff</sub> against ground
Classification	OB/OC (acc. to EN 1434-2)
ON/OFF resistance	<74 Ω / 6 MΩ
Output connection	



### 9.3 Wireless M-Bus

The wireless M-Bus function enables the meter to communicate with a stationary unit (e. g. radio concentrator, smartphone with radio adapter) using 868 MHz radio frequency (unlicensed).

The function supports the OMS<sup>1)</sup>-compliant data transfer.

Standard	Open Metering System Specification (Issue 3.0.1); EN 13757-4
Frequency	868.95 MHz (min. 868.90 MHz to max. 869.00 MHz)
Transmission power	Min. 3.16 mW (5 dBm) to max. 25 mW (13.9 dBm)
Range <sup>2)</sup>	
- Free field	Up to max. 400 m
Power supply	max. 3 batteries type AA
Sending interval	
- Mobile data reading	Acc. to configuration 20 – 34 sec
- Stationary data reading	15 min
- User defined data reading	Acc. to telegram length 12 – 900 sec

1) Open Metering System

2) May vary depending on terrain and building structure

#### Predefined data telegrams



**Note:** Please tell us if encryption needs to be set at factory. The unique encryption key for every meter will be created and you will get a file by email (meter number <> encryption key).

#### Data telegram F000 – stationary radio (sending interval 15 min)

Following data are available by default for data reading:

- Current energy
- Current volume
- Current flowrate
- Current power
- Current temperature hot side
- Current temperature cold side
- Error (manufacturer specific)
- Current timestamp (type I)

### Data telegram F001 – mobile data reading (sending interval 20 sec, battery life-time 6 years)

---

Following data are available by default for data reading:

- Current energy
- Current volume
- Energy: previous month on reference date
- Volume: previous month on reference date
- Monthly reference date
- Energy: previous year on reference date
- Annual set date
- Error (manufacturer specific)
- Current timestamp (type I)

### Data telegram F002 – mobile data reading (sending interval 34 sec, battery life-time 11 years)

---

Following data are available by default for data reading:

- Current energy
  - Energy: previous month on set date
  - Monthly reference date
  - Energy: previous year on reference date
  - Annual reference date
  - Error (manufacturer specific)
  - Current timestamp (type I)
-

## 10 Error codes

The meter continuously runs a self-diagnosis and can thus recognize and display various installation or error messages.

Error code	Error	Service guidelines
<b>FL nEG</b>	Incorrect flow direction	Check flow or installation direction; correct if necessary
<b>if necessary, in exchange with:</b>		
<b>DIFF nEG</b>	Negative temperature difference	Check installation point of the temperature sensors; exchange if necessary
<b>if necessary, in exchange with:</b>		
<b>F0</b>	No flow can be measured	Air in the measurement unit/pipe; bleed air from line (delivery condition)
<b>F1</b>	Interruption in the hot side temperature sensor	Inform service department
<b>F2</b>	Interruption in the cold side temperature sensor	Inform service department
<b>F3</b>	Electronics for temperature evaluation defective	Inform service department
<b>F4</b>	Problem with the power supply; Battery flat	Inform service department
<b>F5</b>	Short-circuit hot side temperature sensor	Inform service department
<b>F6</b>	Short-circuit cold side temperature sensor	Inform service department
<b>F7</b>	Fault in internal memory holding	Inform service department
<b>F8</b>	F1, F2, F3, F5 or F6 for longer than 8 hours, recognition of attempts to manipulate. No further measurements are carried out.	Measure dependent on error code. Error message F8 must be reset by service department.
<b>F9</b>	Fault in the electronics	Inform service department



**Note:** Reset the message F8 in the parameterization mode manually or with the service software. All other error messages are deleted automatically once the error has been rectified.

## 11 Order codes (type number key)

Type code:

U H 3 0 - X X X X - X X X X - X X X - X X - X X X

1. Meter type and mounting location
2. Nominal flowrate
3. Control cable/ type/ electronic unit
4. Country / where used
5. Manufacturer's label
6. Sensor type and connection method
7. Sensor design
8. Communication
9. Power supply
10. Calibration / conformity
11. Energy unit

### Order codes for label plate data

1. Type of meter and mounting location	Code
Heat meter for mounting place cold side	A
Heat meter for mounting place hot side	B
Combined heat/cooling meter	C
Cooling meter for mounting place hot side	G
Cooling meter for mounting place cold side	H
2. Nominal flowrate	Code
Nominal flowrate 0.6 m <sup>3</sup> /h, length 110 mm, nominal pressure PN16, connection G ¾ B	05
Nominal flowrate 0.6 m <sup>3</sup> /h, length 110 mm, nominal pressure PN25, connection G ¾ B	06
Nominal flowrate 0.6 m <sup>3</sup> /h, length 190 mm, nominal pressure PN16, connection G 1 B	07
Nominal flowrate 0.6 m <sup>3</sup> /h, length 190 mm, nominal pressure PN25, connection G 1 B	09
Nominal flowrate 1.5 m <sup>3</sup> /h, length 110 mm, nominal pressure PN16, connection G ¾ B	21
Nominal flowrate 1.5 m <sup>3</sup> /h, length 110 mm, nominal pressure PN25, connection G ¾ B	22
Nominal flowrate 1.5 m <sup>3</sup> /h, length 190 mm, nominal pressure PN16, connection G 1 B	23
Nominal flowrate 1.5 m <sup>3</sup> /h, length 190 mm, nominal pressure PN25, connection G 1 B	25
Nominal flowrate 1.5 m <sup>3</sup> /h, length 130 mm, nominal pressure PN16, connection G 1 B	26
Nominal flowrate 1.5 m <sup>3</sup> /h, length 130 mm, nominal pressure PN25, connection G 1 B	27
Nominal flowrate 2.5 m <sup>3</sup> /h, length 130 mm, nominal pressure PN16, connection G 1 B	36
Nominal flowrate 2.5 m <sup>3</sup> /h, length 130 mm, nominal pressure PN25, connection G 1 B	37
Nominal flowrate 2.5 m <sup>3</sup> /h, length 190 mm, nominal pressure PN16, connection G 1 B	38
Nominal flowrate 2.5 m <sup>3</sup> /h, length 190 mm, nominal pressure PN25, connection G 1 B	40
3. Control cable / type / electronic unit	Code
Split version with 1.5 m control cable	C
Split version with 1.5 m control cable for 130 °C (only with sensor type 0B)	D
4. Country	Code
Middle East (English)	AE
Austria (German)	AT
Belarus (Russian)	BY
Switzerland (German/French)	CH
Czech Republic (Czech)	CZ
Germany (German)	DE
Denmark (Danish)	DK
English neutral	EN
Spain (Spanish)	ES

Great Britain (English)	GB
Italy (Italian)	IT
Norway (Norwegian)	NO
Poland (Polish)	PL
Sweden (Swedish)	SE
Slovenia (Slovenian)	SI
5. Manufacturer's label	Code
Logo Landis+Gyr	00
Other labels on request	xx
6. Sensor type and method of connection	Code
Sensor Pt500, not mounted in the tube	N
Sensor Pt500, mounted in the tube	P
Hardware-dependent features	
7. Sensor type	Code
Type DS, 25 bar/ 130 °C/ M10x1, cable length 1,5 m	0B
Type PS, 16 bar/ 105 °C/ Ø5,2x45 mm, cable length 1,5 m	0H
Type PS, 16 bar/ 105 °C/ Ø5,2x45 mm, cable length 5 m	0J
8. Communication	Code
No module	0
M-Bus	B
wM-Bus 868 MHz stationary	E
wM-Bus 868 MHz mobile	F
Pulse	L
9. Power supply	Code
Battery for 6 years	A
Battery for 11 years	F
10. Calibration / conformity	Code
Compliant to national regulations	TL
Certified acc. to national regulations	CL
Compliant to MID, class 2	M2
Compliant to MID, class 3	M3
Compliant with CEN 1434 class 2	T2
Compliant with CEN 1434 class 3	T3
11. Energy unit	Code
Display: kWh	A
Display: MWh with 3 decimal places	B
Display: MJ	C
Display: GJ with 3 decimal places	D
Further features	Code
Test protocol (paper)	PP
Test protocol (Excel file per mail)	PE
Adjustable mounting place	

\*) Additional ordering information needed (see page 25)



## 12 Additional ordering information for wM-Bus



**Note:** The battery life time always depends on the meter configuration (measuring interval) and on the data telegram length, encryption (with / without) and sending interval (mobile / stationary)!

**All these configurations can be changed with the service software!**



**Note:** Data in the radio module is updated every 15 minutes independent of the sending interval.

Necessary additional ordering information's:

- You must decide for “stationary radio (sending interval 15 min.)” or “mobile data reading (sending interval 20 – 34 sec.)”.
- Please tell us if encryption needs to be set at factory.
- The unique encryption key for every meter will be created and you will get a file by electronic delivery note (meter number <> encryption key).

### 1. Stationary radio:

Ordering example battery life **6 years**, data telegram F000, sending interval 15 min.:

**UH30-XXXX-XXXX-X-XX-**EA**-XXX + F000 + encryption**

E = Wireless M-Bus function stationary

A = Battery lifetime **6 years**

F000 = Stationary radio

Encryption (AES 128) = Yes / No

Ordering example battery life **11 years**, data telegram F000, sending interval 15 min.:

**UH30-XXXX-XXXX-X-XX-**EF**-XXX + F000 + encryption**

E = Wireless M-Bus function stationary

F = Battery lifetime **11 years** F000 = stationary radio

Encryption (AES 128) = Yes / No

### 2. Mobile data reading “walk by”

Ordering example battery life **6 years**, data telegram F001, sending interval 20 sec.:

**UH30-XXXX-XXXX-X-XX-**FA**-XXX + F001+ encryption**

F = Wireless M-Bus function mobile

A = Battery lifetime **6 years**

F001 = Mobile data reading

Encryption (AES 128) = Yes / No

Ordering example battery life **11 years**, data telegram F002, sending interval 34 sec.:

**UH30-XXXX-XXXX-X-XX-**FF**-XXX + F002+ encryption**

F = Wireless M-Bus function mobile

F = Battery lifetime **11 years**

F002 = Mobile data reading

Encryption (AES 128) = Yes / No

---

### 13 Pressure loss

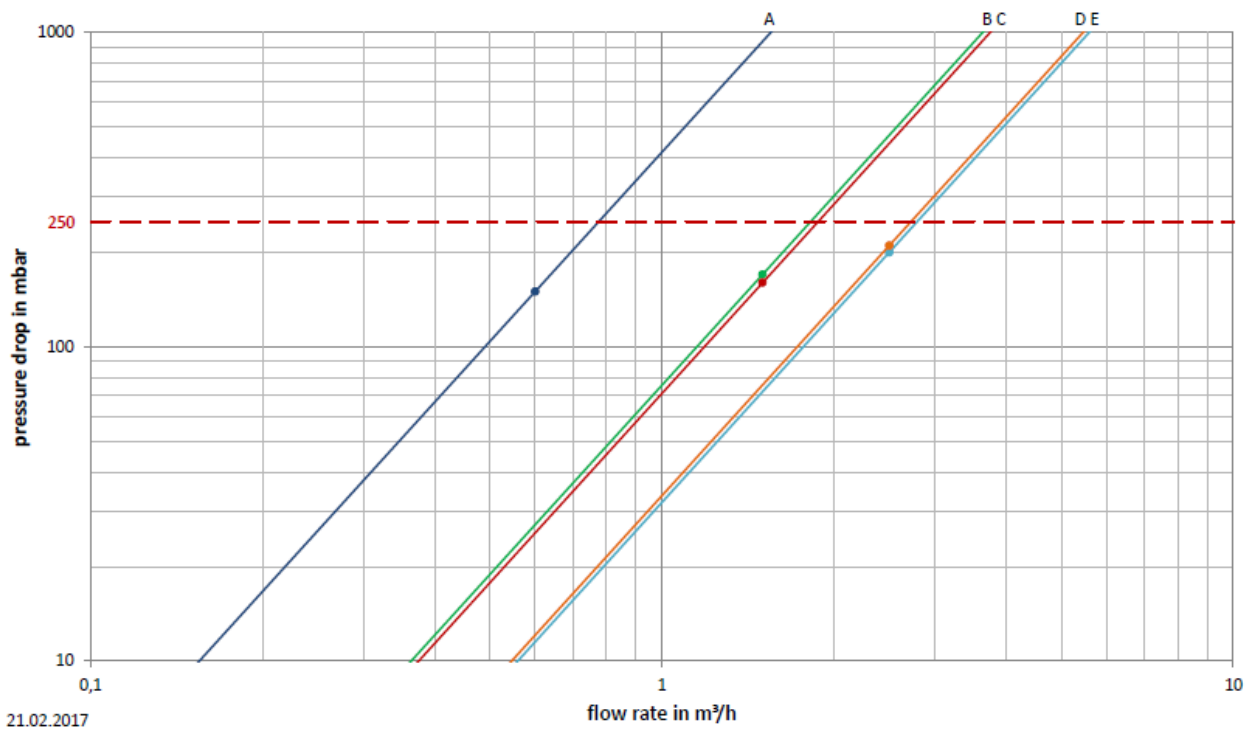
Nominal flowrate qp	Overall length	Connection	Pressure loss at qp	Kv-Factor at Δp 1 bar	Graph in diagram
m <sup>3</sup> /h	mm	G / DN	mbar	m <sup>3</sup> /h	
0.6	110, 190	G <sup>3</sup> / <sub>4</sub>	150	1.5	A
1.5	110	G <sup>3</sup> / <sub>4</sub>	170	3.6	B
1.5	130, 190	G1	160	3.8	C
2.5	190	G1	210	5.5	D
2.5	130	G1	200	5.6	E

The indicated pressure loss of a flow sensor is at nominal flowrate qp. With the Kv-Factor, which defines the flow rate at a pressure loss of 1 bar, the pressure loss at any given flow rate can be calculated:

$$\Delta p = 1 \text{ bar} \times \left( \frac{Q}{K_v} \right)^2$$

$\Delta p = \text{pressure loss in bar}$   
 $Q = \text{flowrate in m}^3/\text{h}$   
 $K_v = K_v - \text{Factor at } \Delta p = 1 \text{ bar}$

Alternatively, the value can be taken from the diagram.



Landis+Gyr GmbH  
Humboldtstrasse 64  
90459 Nuremberg  
Germany

---